



Micro Commercial Components

Micro Commercial Components
 20736 Marilla Street Chatsworth
 CA 91311
 Phone: (818) 701-4933
 Fax: (818) 701-4939

Micro Commercial Components

SRA501 THRU SRA507

50Amp Recover Rectifier 50 to 1000 Volts

Features

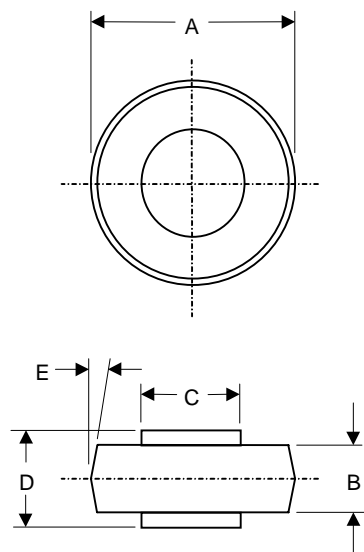
- Low Cost
- Low Leakage
- Low Forward Voltage Drop
- High Current Capability
- For Automotive Applications

Maximum Ratings

- Operating Temperature: -55°C to +150°C
- Storage Temperature: -55°C to +150°C

MCC Catalog Number	Device Marking	Maximum Recurrent Peak Reverse Voltage	Maximum RMS Voltage	Maximum DC Blocking Voltage
SRA501	---	50V	35V	50V
SRA502	---	100V	70V	100V
SRA503	---	200V	140V	200V
SRA504	---	400V	280V	400V
SRA505	---	600V	420V	600V
SRA506	---	800V	560V	800V
SRA507	---	1000V	700V	1000V

SRA



Electrical Characteristics @ 25°C Unless Otherwise Specified

Average Forward Current	$I_{F(AV)}$	50A	$T_A = 55^\circ\text{C}$
Peak Forward Surge Current	I_{FSM}	650A	8.3ms, half sine
Maximum Instantaneous Forward Voltage	V_F	1.0V	$I_{FM} = 50\text{A}; T_J = 25^\circ\text{C}^*$
Maximum DC Reverse Current At Rated DC Blocking Voltage	I_R	10 μA 250 μA	$T_J = 25^\circ\text{C}$ $T_J = 55^\circ\text{C}$
Typical Junction Capacitance	C_J	100pF	Measured at 1.0MHz, $V_R=4.0\text{V}$

*Pulse test: Pulse width 300 μsec , Duty cycle 2%

DIM	DIMENSIONS				NOTE
	INCHES		MM		
A	.332	.342	8.43	8.69	
B	.165	.175	4.19	4.45	
C	.218	.222	5.54	5.64	
D	.234	.26	5.94	6.25	
E	---	5'	---	5'	

Figure 1
Typical Forward Characteristics

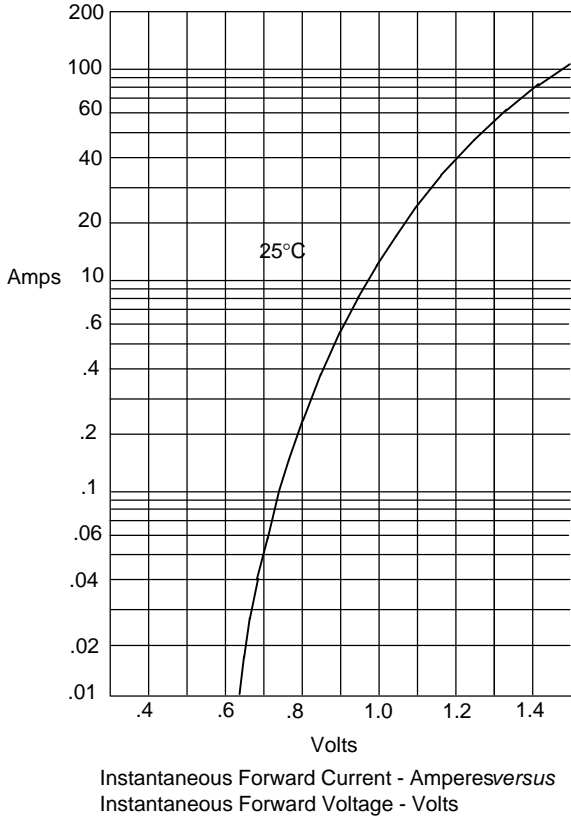


Figure 2
Forward Derating Curve

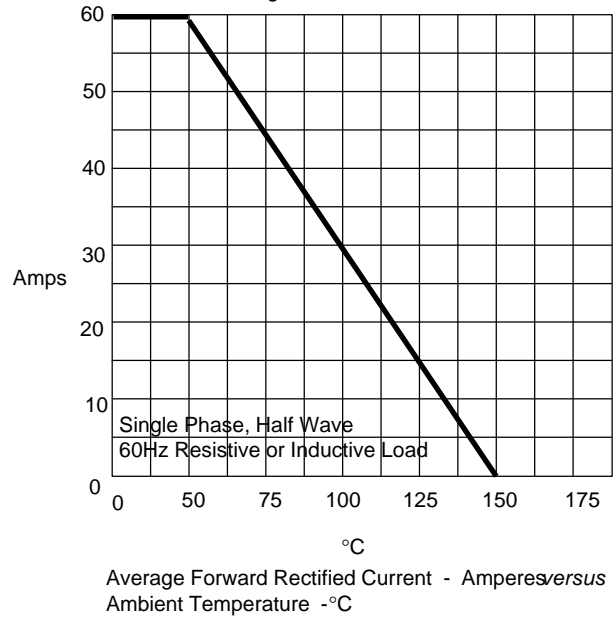


Figure 4
Peak Forward Surge Current

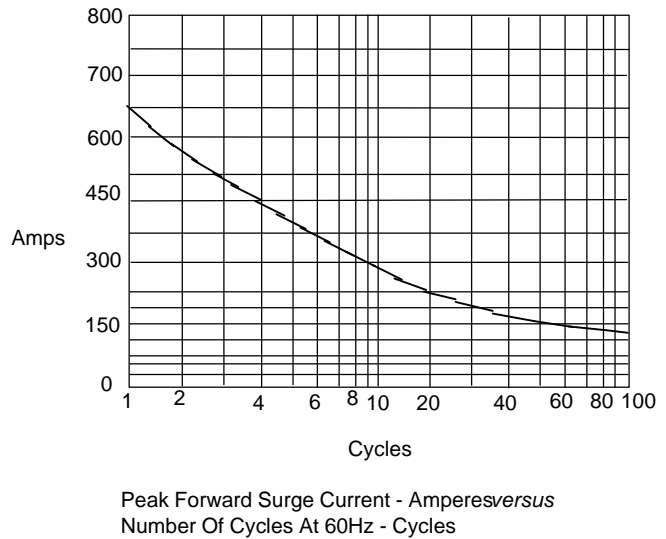


Figure 3
Junction Capacitance

